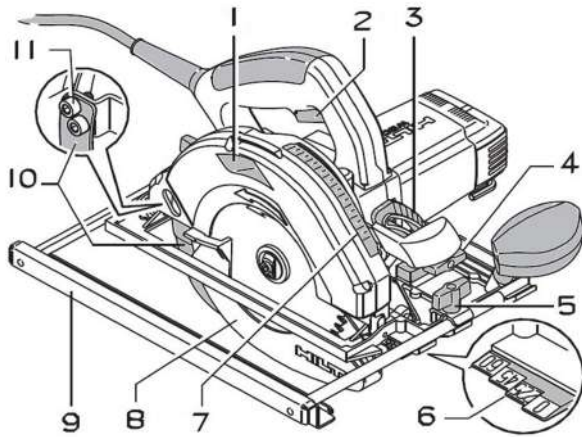


Circular saw

This document is a summary of the original manual. You must read the detailed operating instructions in full before operating the product.

Ignoring the warnings and instructions may lead to potentially fatal injury. The product has been designed for professional use and may be operated, maintained and repaired only by suitably trained or qualified personnel.

Overview of the product



- ① Sawdust ejection
- ② On/off switch
- ③ Cutting angle scale
- ④ Clamping screw for blade-angle adjustment
- ⑤ Clamping screw for rip fence
- ⑥ Cutting line indicator
- ⑦ Cutting depth scale
- ⑧ Pivoting guard
- ⑨ Rip fence (parallel guide)
- ⑩ Riving knife
- ⑪ Securing screws for riving knife

Before operation, observe the instructions regarding protective equipment.



Circular saw

Intended use

The product described is a circular saw. It is designed for cutting wood or wood-like materials, plastics, gypsum plasterboard, gypsum fiberboard and composite materials, up to a cutting depth of 85 mm (3.35 in).

Data

Technical data	
Weight in accordance with EPTA procedure 01	7.8 kg
Rated voltage	230 V
Typical A-weighted sound power level	111 dB(A)
Triaxial vibration value when cutting wood (a_h)	$\approx 2.5 \text{ m/s}^2$

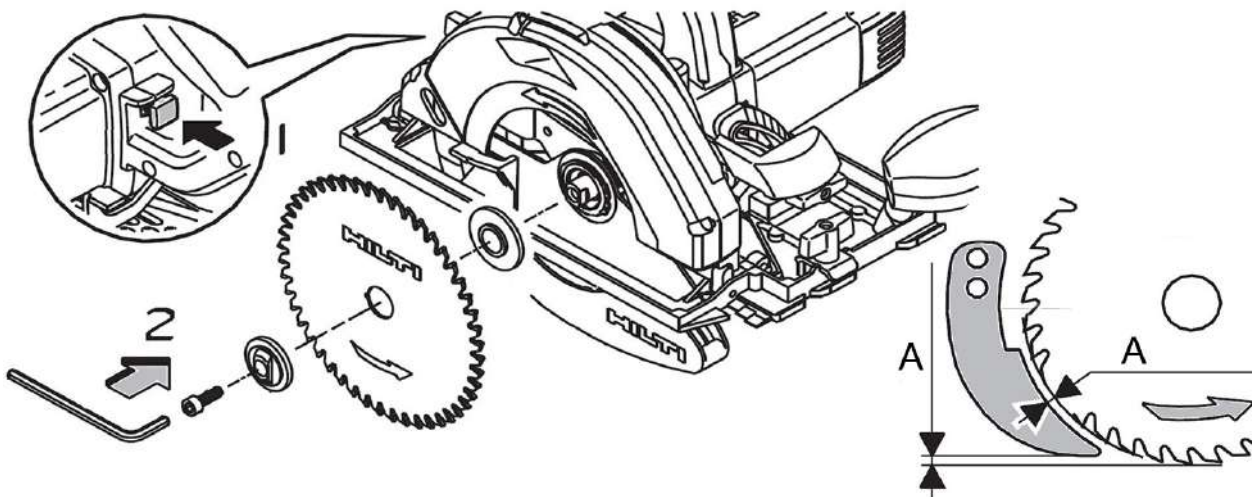
Fitting the saw blade



CAUTION

Risk of damage Unsuitable or incorrectly fitted saw blades may damage the saw.

- ▶ Only use blades which are suitable for this saw. Observe the direction-of-rotation arrow on the saw blade.



1. Rest the power tool on the ribs provided.
2. Lock the arbor by holding the arbor lockbutton down with one hand.
3. Fit the clamping flange to the arbor.
4. Securely tighten the screw.
5. Make sure that the clamping flange is seated correctly.



Note

The riving knife thickness must be less than the kerf width of the saw blade and at least equal to the saw blade disc thickness.

Gap A must be less than 5 mm (0.2 in).